



Light Module Eye

4 connections - narrow beam

Emiliana Martinelli

colors



Typology Ceiling
Utilisation Indoor

230V 11 W 2225 lm



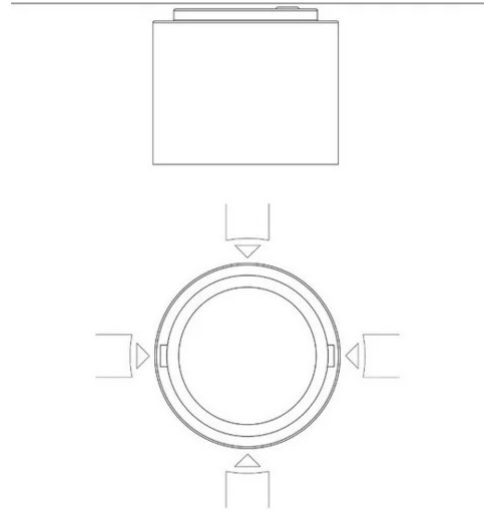
direct light

EYE, PREPARED FOR 4 CONNECTION MODULES.

Eye is a ceiling lamp with direct/swivel light. Painted aluminium structure. LED light source integrated. Complete of electronic driver.



Family Light module Eye
 Typology Ceiling
 Utilisation Indoor



Dimensions

Height 11 cm
 Diameter 16 cm
 Power supply cable length 0 cm
 Weight 1 Kg

Materials

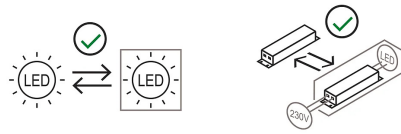
Structure aluminium

Voltage	230V	Watt	11 W
Power unit	Included	Lumen	2225 lm
Mounting Power Supply	Internal	CRI	>90
Power supply	Electronic power supply	Duration	50000 h
Non dimmable		CCT	3000 K
		Energy class	E

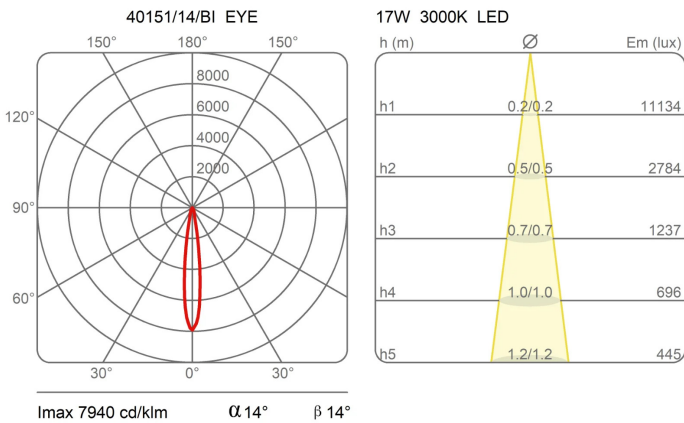
Certifications



EcoLabel



Photometric curves





Colour variant code



40151/24/BI



White



40151/24/NE



Black



Accessories



40155
Joint Eye



40156
Joint Eye



40157
Joint Eye
